
scaringbirds.com

Scaringbirds.com Ltd, Lower Upton, Little Hereford, Ludlow, Shropshire, SY8 4BB
Tel: +44 (0)1584 711701 Fax: +44 (0)1584 711478
Website: www.scaringbirds.com
Email: info@scaringbirds.com

FLASHING HAWKEYE ROOF MOUNTING PLATE or BRACKET

The Flashing Hawkeye was chiefly designed for use protecting arable crops mounted on a ground spike and this remains it's most common use. However there are ever increasing requirements for it's use at higher elevation with the low profile board in situations such as

- factory / farm yard roofs
- radio masts
- vineyards on top of posts
- miscellaneous industrial applications.

On these occasions the more onerous stresses when used at high elevations, coupled with safety considerations to humans below, has resulted in the design of two mounting options so that they can be mounted onto

- a horizontal surface with the Roof Mounting Plate
- or attached to a vertical structure with the Roof Mounting Bracket

The Roof Mounting Plate

The roof mounting plate is a 18cms square plate of 5mm thickness with an M10 hole in each corner inset from the corner by 10mm, and an inner set of holes for alternative selection of mounting positions with an M10 hole midway along each side but inset by 50mm

The Roof Mounting Bracket

This is a versatile bracket which can be fixed in a wide variety of situations including

- A onto a flat vertical surface
- B into the corner formed by two adjacent vertical surfaces
- C onto the top of a wall / post and embracing the two adjacent vertical sides of a corner

When in position A it will protrude above the top surface and may be held by up to 6 bolts (either 1/2/3/4/5/6 or 7/8/9/10/11/12).

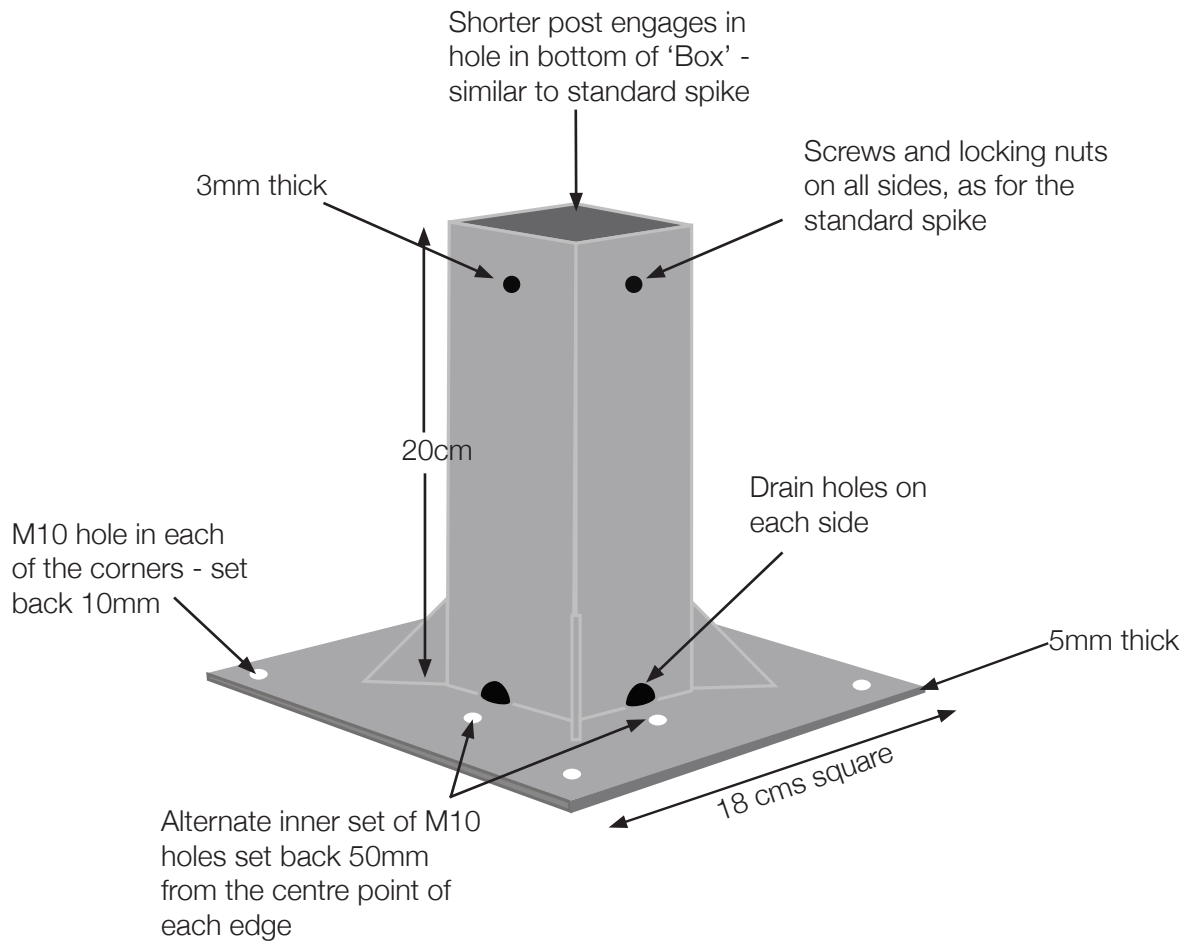
In position B it will protrude above the corner and may be held through any or all of the 12 bolt holes.

In position C the box will sit on the top of the post or corner and be held by 2/8 which are offset so as to not clash and likewise by selecting either 3/4/11/12 or 5/6/9/10 so that the screws do not meet.

Safety

Responsibility for the selection of the site and safe installation of the Flashing Hawkeye rests with the user. When selecting a site consideration should be given to the consequences if any part of the unit should break (for example it would be safer to mount it above a flat roof or roof gully where it is unlikely to fall on anyone). When installing the unit the mounting bracket must be vertical and rigid and care should be taken to tighten the four screws and locking nuts so as to ensure vertical alignment of the post.

Roof Mounting Plate



All finished in black

scaringbirds.com

Roof Mounting Bracket

